




DL50 • DLM60 • DLV68
 MINI THROUGH BEAM SENSOR
 with separate amplifier

- ⦿ high range
- ⦿ high power reserve
- ⦿ highly flexible connecting cable
- ⦿ robust design



<ul style="list-style-type: none"> • Ø 5 mm x 13 mm • Stainless steel • f. gluing and clamping fixture 	<p>DL50</p>  <p>Actual size</p>
<ul style="list-style-type: none"> • M6 x 0,5 mm x 13 mm • Nickel-plated brass • f. screw-in fixture 	<p>DLM60</p>  <p>Actual size</p>
<ul style="list-style-type: none"> • 6 mm x 8 mm x 12 mm • Nickel-plated brass • f. screw-in fixture 	<p>DLV68</p>  <p>Actual size</p>

GENERAL TECHNICAL DATA

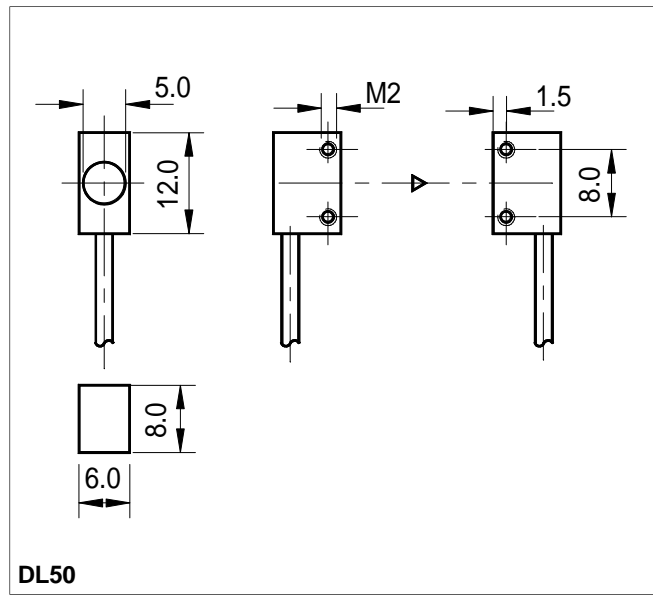
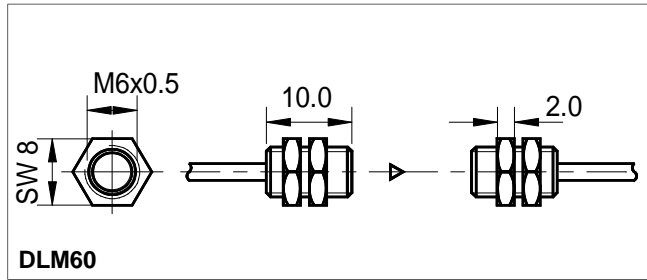
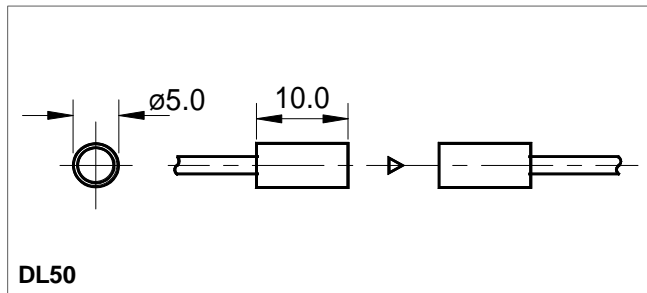
light type	Red 660nm or Infrared 880nm
connection type	PUR-cable with connector
temperature range	-10°C to +55°C
protection class	IP 65

SMALLEST OBJECT and SENSING DISTANCE

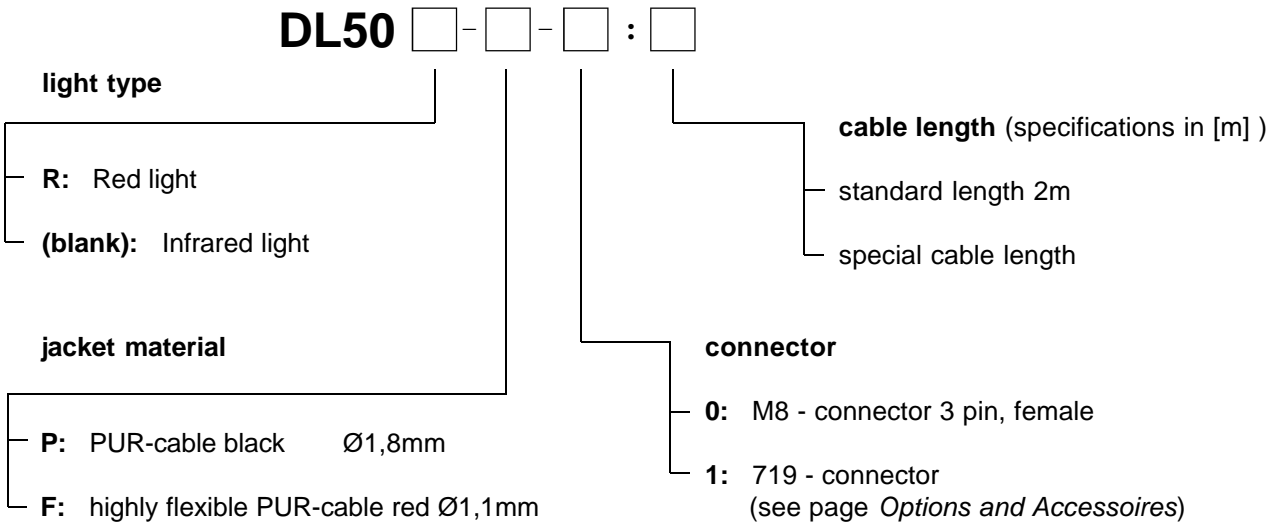
sensing distance	4000 mm
smallest object (Ø copper wire)*	0,4 mm

*copper wire of infinite length

DIMENSIONS



PART DESIGNATION



ORDER EXAMPLE:

DL50R-P-0:1m = DL50 Red light - PUR-cable black - M8, 3 pin female: (cable length 2m x 2)

Please remember, for correct operation, a separate amplifier is required.